



WIDTH
Adjustable from 73 to 95.5 cm

HEIGHT
Top of gate to floor 76.5 cm

Swing Shut Extendable Gate

IMPORTANT - READ AND FOLLOW THESE INSTRUCTIONS CAREFULLY AND KEEP FOR FUTURE REFERENCE

This safety barrier conforms to EN 1930:2011 when fitted according to these instructions between two clean, structurally sound surfaces.

This safety barrier is designed for children up to 24 months.

This safety barrier is for domestic use only.

Manual closure system.

Suitable for fixing across door openings and at the top and bottom of stairways.

Make sure that you use the correct type of fixings depending on the surface available:

Self-adhesive pads for appropriate surfaces or wood screws for wooden surfaces, multiple usage dowels and screws for brick, concrete or cement surfaces, and metal screws for metal surfaces.

If the gate has been exposed to an accident, it must not be used again.

Do not allow older children to climb over this gate as this may pose a danger.

Only use original Clippasafe spare parts for this product.

Periodically check the security of the fixings and general condition of each part. Adjust as necessary referring to these instructions.

WARNING: Read these instructions before installation as incorrect installation can be dangerous.

WARNING: Incorrect fitting or positioning of this safety barrier can be dangerous.

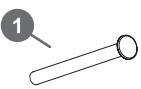
WARNING: Do not use the safety barrier if any components are damaged or missing.

WARNING: The safety barrier must not be fitted across windows.

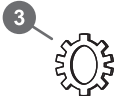
WARNING: Stop using the barrier if the child is capable of climbing over it.

A CONTENTS

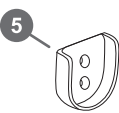
SPINDLES x 4



SPRING WASHER x 4



WALL CUPS x 4



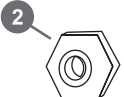
7cm EXTENSIONS x 2



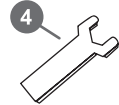
GATE



NUTS x 4



SPANNER x 1



SELF-ADHESIVE WALL CUP PADS x 4



Each 7cm extension comprises of a vertical bar and a top and bottom fixing

SPINDLE CASINGS x 4

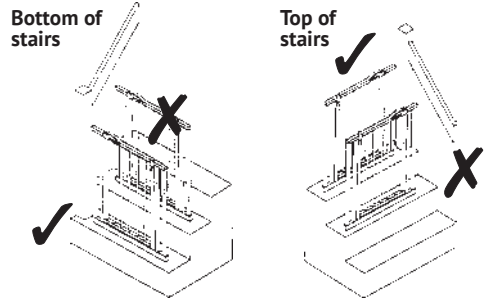


B LOCATION

WARNING - INCORRECT FITTING OR POSITIONING OF THIS SAFETY BARRIER CAN BE DANGEROUS

If this gate needs to be fitted to a round shaped newel post, 'Y' shaped spindles are available separately which replace the standard spindles and wall cups supplied with this gate

Fixing surfaces must be suitable for the purpose and structurally sound.



C PRE-INSTALLATION ADVICE

The surfaces to which the gate fits should be completely flat and a minimum of 5cm wide.

This product may require the purchase of appropriate fixing aids suitable for the surface to which the wall cups are to be fitted.

THIS GATE OFFERS THE FOLLOWING FIXING OPTIONS:		SUITABLE SURFACES							
		RIGIDLY SUPPORTED WOODEN SURFACE (eg. DOOR FRAME / SKIRTING BOARD)	UNSUPPORTED WOODEN SURFACE (eg. STAIR / NEWEL POST)	PLASTERED SURFACE	PLASTER BOARD STUD WALL - WOODEN SUPPORTING BATTEN RECOMMENDED	WALLPAPERED SURFACE	METAL SURFACE (eg. ALUMINIUM / STEEL DOOR FRAME)	PLASTIC SURFACE (eg. UPVC DOOR FRAME)	CERAMIC TILED SURFACE
✓	LOW PRESSURE MOUNTING WITH ADHESIVE MOUNTED WALL CUPS ON BOTH SIDES	✓	✓	✓	✓	✗	✓	✓	✓
✓	LOW PRESSURE MOUNTING WITH SCREW MOUNTED WALL CUPS ON BOTH SIDES	✓	✓	✓	✓	✓	✓	✓	✓

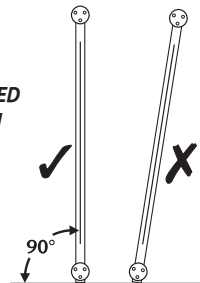
WARNING - NEVER USE WITHOUT WALL CUPS.

Without extensions, this gate is suitable for openings between 73cm (28¾in) and 81.5cm (32in) wide. If gap is wider, see extension guide below. If necessary, fit the extension(s) first, then follow the installation instructions (Section D).

Two 7cm extensions are included, 18cm extensions are available separately.

GAP	EXTENSIONS REQUIRED		
	7cm	18cm	7+18cm
81.5 - 88.5cm	1		
88.5 - 95.5cm	2		
95.5 - 99.5cm		1	
99.5 - 106.5cm	1	1	
106.5 - 113.5cm	1		1
113.5 - 117.5cm		2	
117.5 - 124.5cm		1	1
124.5 - 131.5cm			2

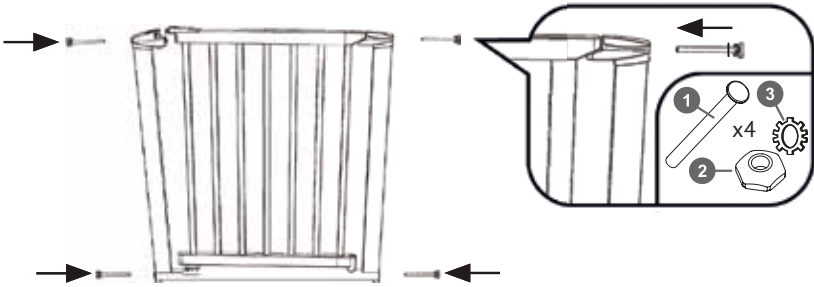
WARNING - GATE MUST BE FITTED UPRIGHT AS SHOWN IN ORDER FOR THE SWING CLOSE MECHANISM TO FUNCTION CORRECTLY.



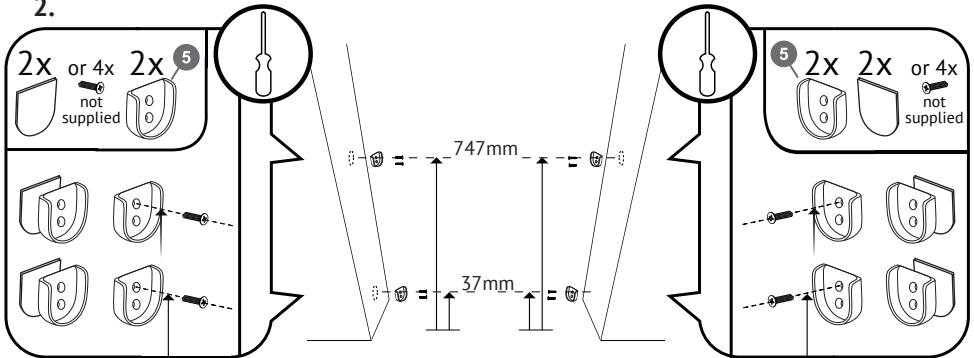
WARNING - WHEN FITTING ON A STAIRWAY ALWAYS BLOCK ONE OPENING DIRECTION SO THAT THE GATE WILL ONLY OPEN AWAY FROM THE STAIRS (see installation instructions).

D INSTALLATION

1.

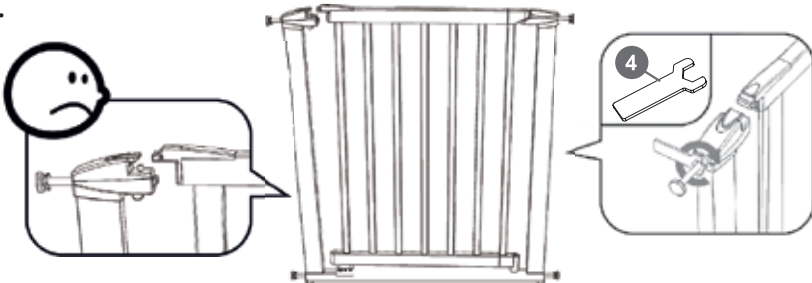


2.

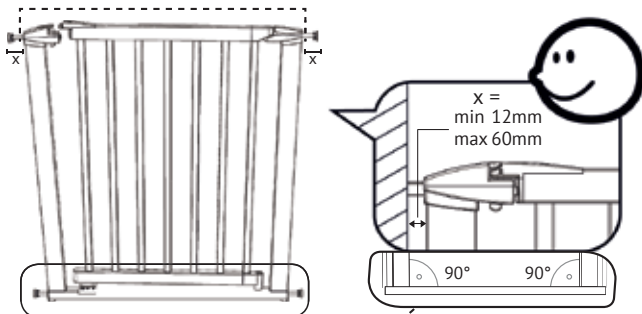


The distances shown above are for screw fixing only. If using adhesive pads, ensure that the wall is clean, dry and free from any grease and align the wall cups to the spindles in the gate.

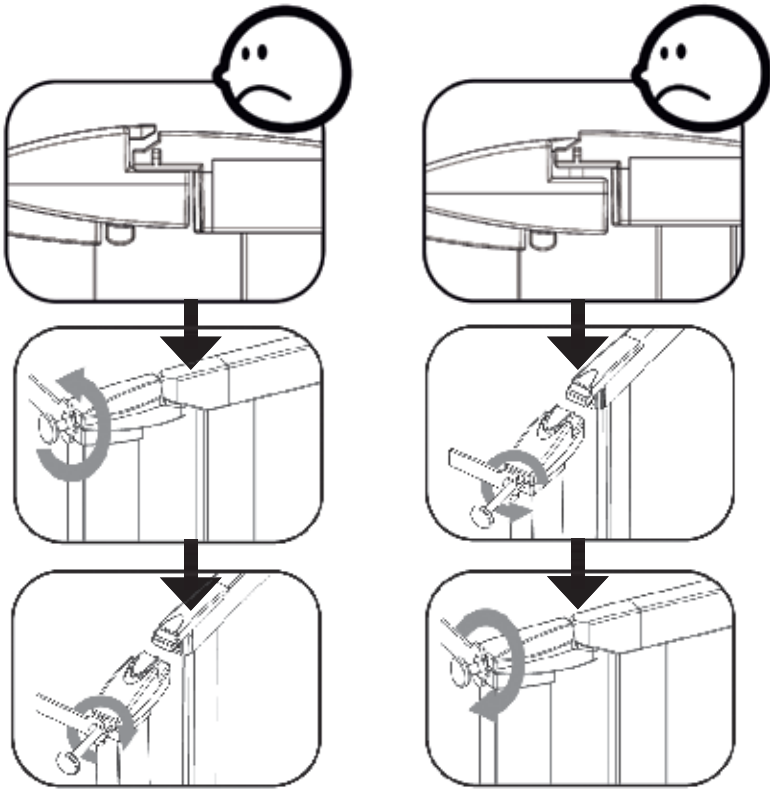
3.



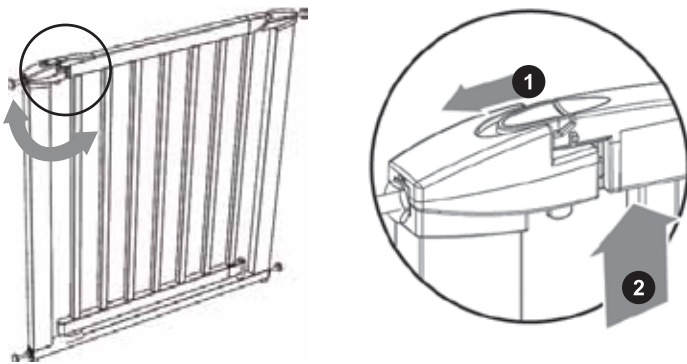
4.



5.

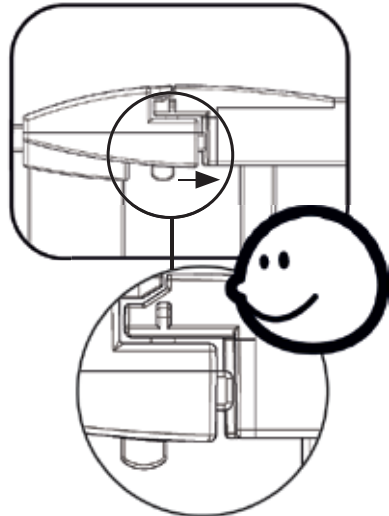
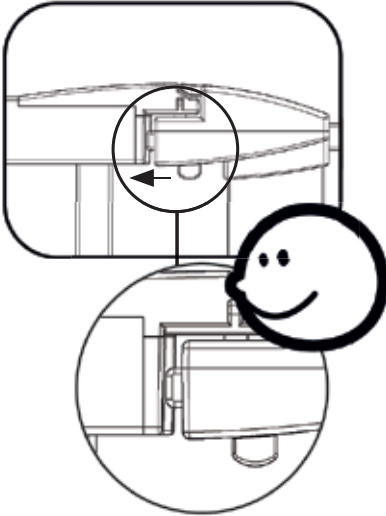
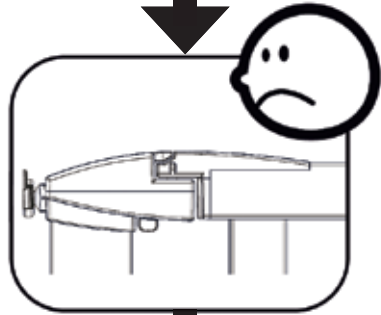
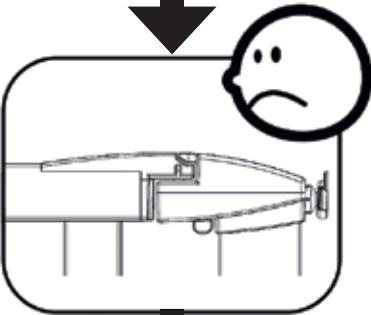
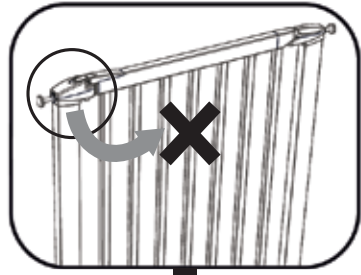
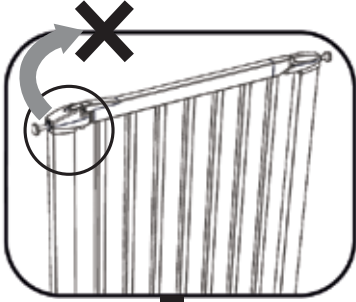


6.



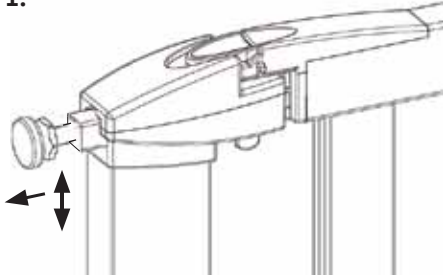
To close the gate, swing the gate door shut from the open position or close it manually by holding the handle and closing the gate door until it locks into position. Always check that the gate is closed and locked before leaving unattended.

7. To block the opening direction of the gate.

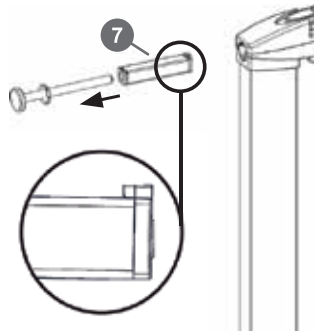


E FITTING A 7cm EXTENSION

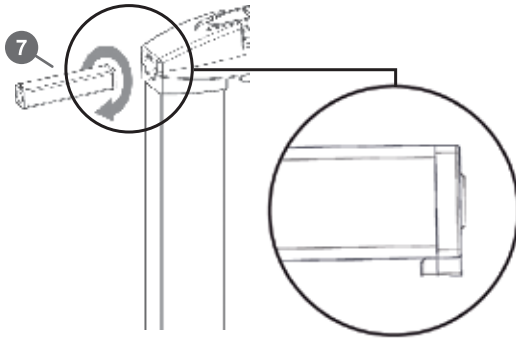
1.



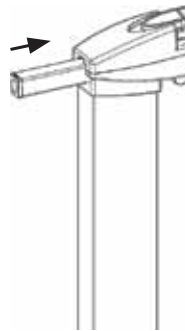
2.



3.



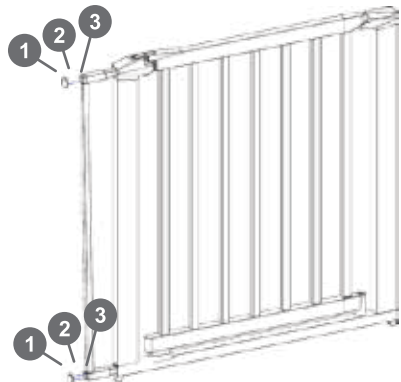
4.



5.

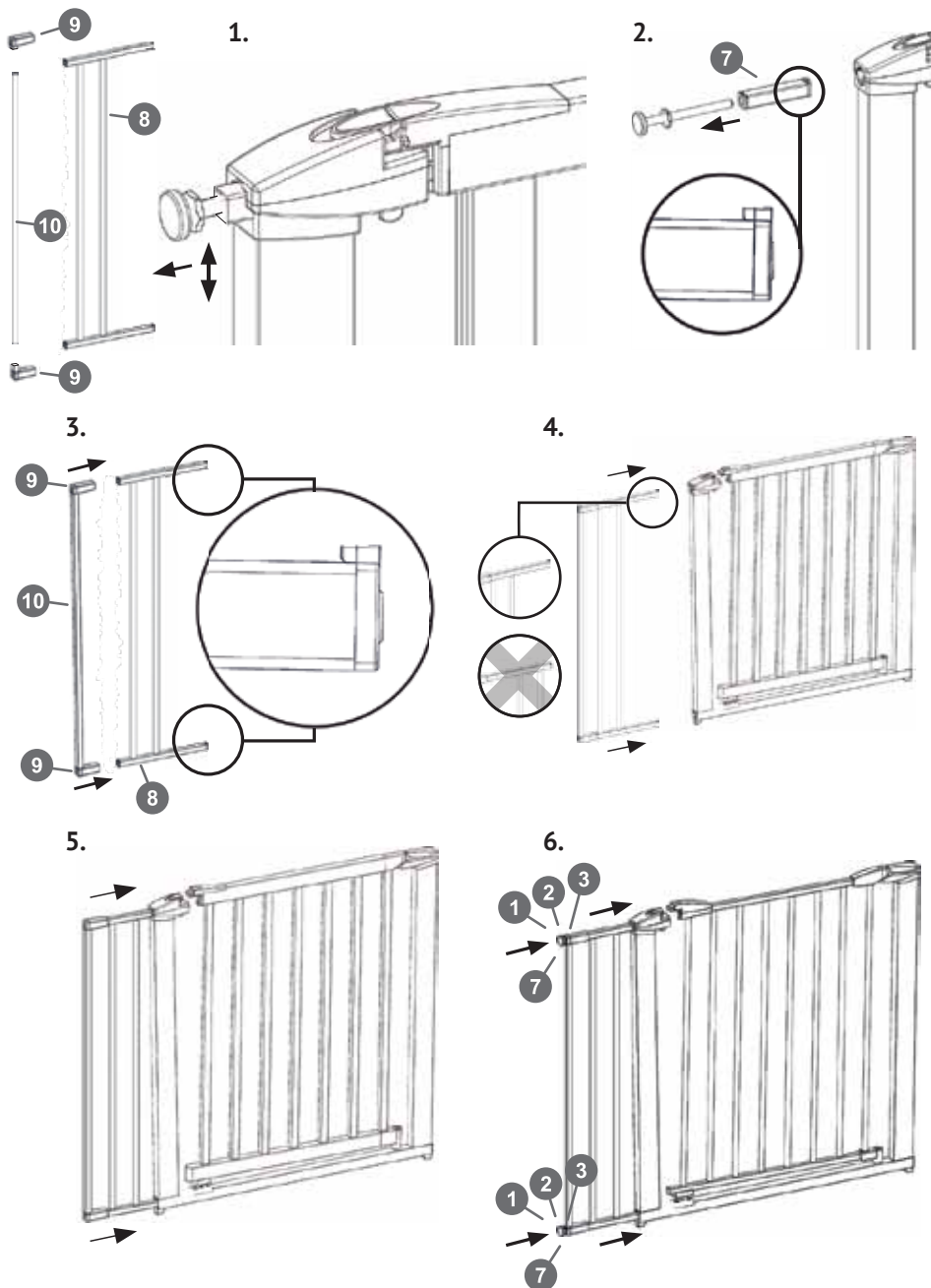


6.

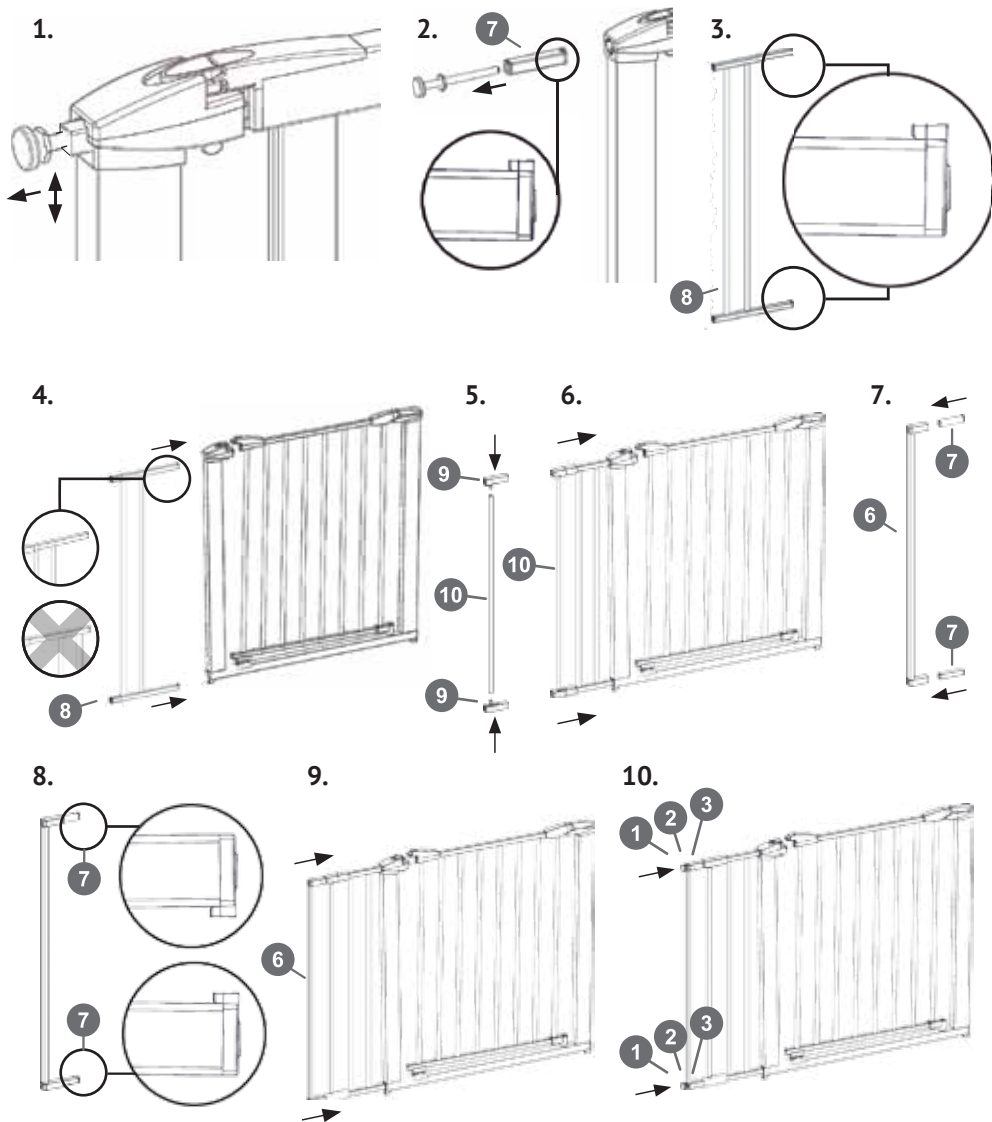


7. If a second 7cm extension is required repeat on the other side of the gate.

F FITTING AN 18cm EXTENSION - available separately



G FITTING A 7cm & 18cm EXTENSION



Clippasafe Ltd.

Lanthwaite Road, Clifton,
Nottingham, NG11 8LD, England
Tel: 0115 9211899

E-mail: enquiries@clippasafe.co.uk

www.clippasafe.co.uk

Model No.130 - Metal Gate
Model No.132 - Wood Gate

©Clippasafe Ltd 2014 - 130+132/Dec2014

