

Clippasafe

**WIDTH**  
Adjustable from 60 to 107 cm

**HEIGHT**  
Top of gate to floor 72 cm

# Extendable No Trip Gate

## IMPORTANT - READ AND FOLLOW THESE INSTRUCTIONS CAREFULLY AND KEEP FOR FUTURE REFERENCE

This safety barrier conforms to EN 1930:2011 when fitted according to these instructions between two clean, structurally sound surfaces.

This safety barrier is designed for children up to 24 months.

This safety barrier is for domestic use only.

Manual closure system.

Suitable for fixing across door openings and at the top and bottom of stairways.

Make sure that you use the correct type of fixings depending on the surface available:

*Wood screws for wooden surfaces, multiple usage dowels and screws for brick, concrete or cement surfaces, and metal screws for metal surfaces.*

If the gate has been exposed to an accident, it must not be used again.

Do not allow older children to climb over this gate as this may pose a danger.

Only use original Clippasafe spare parts for this product.

Periodically check the security of the fixings and general condition of each part. Adjust as necessary referring to these instructions.

**WARNING:** Read these instructions before installation as incorrect installation can be dangerous.

**WARNING:** Incorrect fitting or positioning of this safety barrier can be dangerous.

**WARNING:** Do not use the safety barrier if any components are damaged or missing.

**WARNING:** The safety barrier must not be fitted across windows.

**WARNING:** Stop using the barrier if the child is capable of climbing over it.

### A CONTENTS

SCREWS x4



SCREWS x4



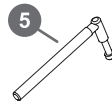
SPINDLE x2



NUTS x2



HINGE BARS x2



GATE



WALL CUP x1



WALL CATCH x1



GATE STOP x2



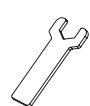
HINGES x2



HINGE COVERS x2



SPANNER x1



## B LOCATION

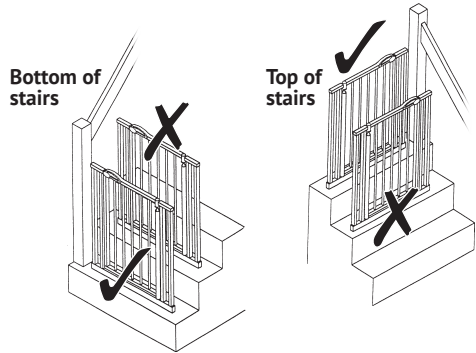
### WARNING - INCORRECT FITTING OR POSITIONING OF THIS SAFETY BARRIER CAN BE DANGEROUS

The gate must be fitted in a structurally solid opening, free of dirt and grease.

The position of the safety barrier in relation to the stairs may have an adverse affect on your child's safety:

- If the barrier is used at the top of the stairs to prevent your child from falling down the stairs, it must not be placed on any stair below the level of the top stair.
- If the safety barrier is used at the bottom of the stairs to prevent your child from climbing up the stairs, it must be placed on the lowest stair.

*This product requires the purchase of appropriate fixing aids suitable for the surface to which the hinges and catches are to be fitted.*



### SUITABLE SURFACES

	RIGIDLY SUPPORTED WOODEN SURFACE (eg. DOOR FRAME / SKIRTING BOARD)	UNSUPPORTED WOODEN SURFACE (eg. STAIR / NEWEL POST)	PLASTERED SURFACE	PLASTER BOARD STUD WALL - WOODEN SUPPORTING BATTEN RECOMMENDED	WALL PAPERED SURFACE	METAL SURFACE (eg. ALUMINIUM / STEEL DOOR FRAME)	PLASTIC SURFACE (eg. UPVC DOOR FRAME)	CERAMIC TILED SURFACE
✓	✓	✓	✓	✓	✓	✓	✓	✓

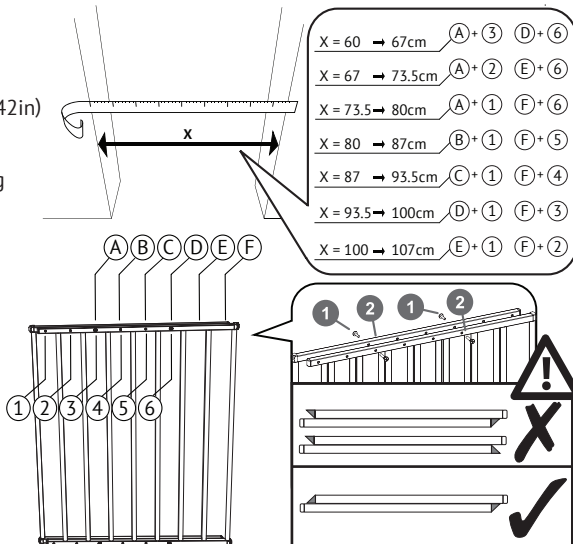
### THIS GATE OFFERS THE FOLLOWING FIXING OPTIONS:

✓	LOW PRESSURE MOUNTING WITH SCREW FIXED HINGES AND WALL CATCHES
---	----------------------------------------------------------------

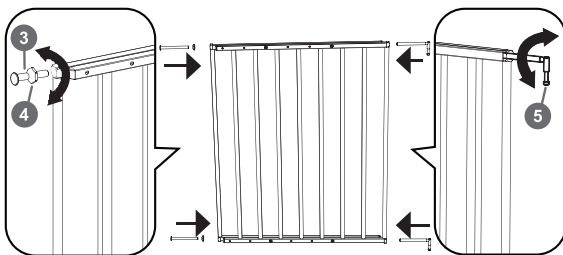
## C INSTALLATION

This gate is suitable for openings between 60cm (23½in) and 107cm (42in) wide.

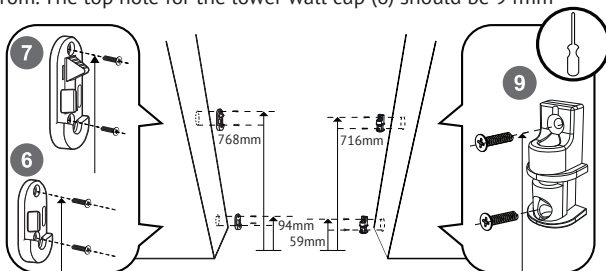
1. Measure the width of the opening where you wish to place the gate.
2. Adjust the two gate sections to one of the seven overlapping hole combinations according to the size of the opening.
3. Align the holes on both gate sections. Secure the gate sections together by fastening 2 x screws (1) into 2 x screws (2) on the top bar of the gate and 2 x screws (1) into 2 x screws (2) on the bottom bar of the gate.



**4.** Screw both spindles (3) with a nut (4) on each into one side of the gate.  
Screw both hinge-bars (5) into the other side of the gate.

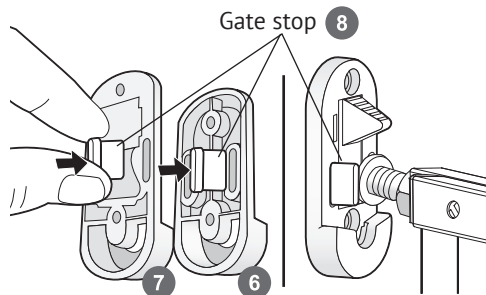


**5.** Mark the position for the wall cup (6) and wall catch (7) on the opposite wall surface to where you want the gate to hinge from. The top hole for the lower wall cup (6) should be 94mm above the floor. The top hole for the upper wall catch (7) should be 768mm above the floor. Likewise mark the position for the hinges (9) on the other wall surface.



The top hole for the lower hinge should be 59mm above the floor. The top hole for the upper hinge should be 716mm above the floor.

To prevent the gate from opening in one direction, for example onto stairs, insert gate stops (8) into the wall cup (6) and wall catch (7) on the appropriate side.

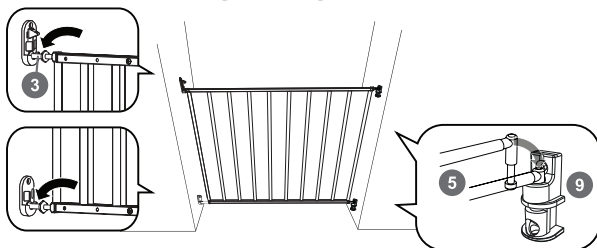


Fix the wall cup, catch and hinges using appropriate fixings depending on the wall surface: wood screws for wood surfaces, wall plugs and screws for brick / concrete / plastered surfaces and metal screws for metal surfaces.

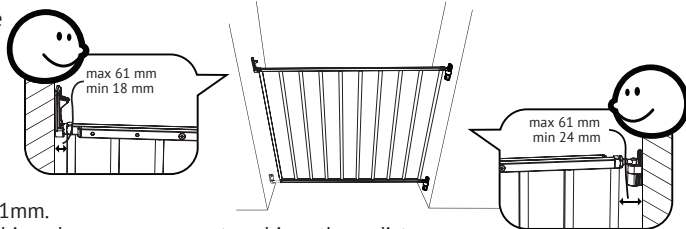
*These screws and fixings are not provided.*

**6.** Place the gate into position, making sure to insert both of the hinge bars (5) into the hinges (9).

Adjust the spindles (3) so that they fit comfortably into the wall cup and wall catch.



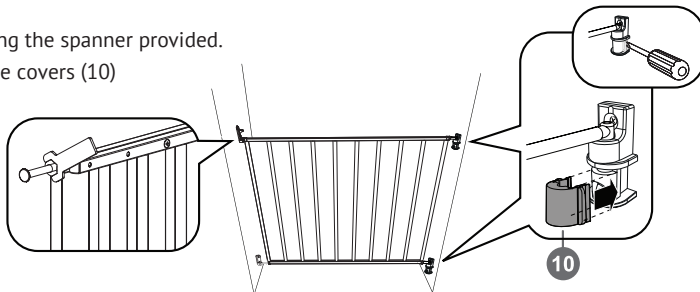
**7.** Ensure that the distance between the gate and the wall on the latch side is no less than 18mm and no more than 61mm, and that the distance between the gate and the wall on the hinge side is no less than 24mm and no more than 61mm.



Adjust the spindles and/or hinge bars as necessary to achieve these distances.

8. Tighten the nuts using the spanner provided.
9. Finally, clip the hinge covers (10) onto the hinges.

**The hinge covers must always be fitted when the gate is in use.**

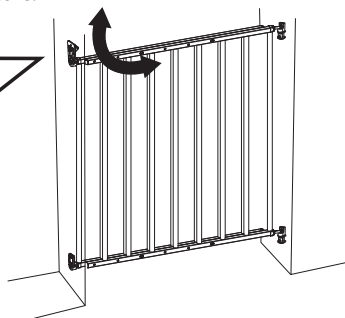
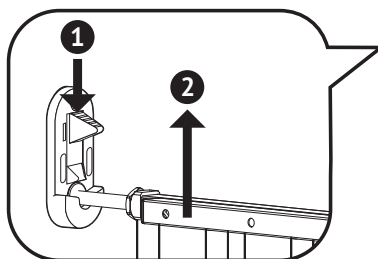


NOTE: The hinge covers can be removed using a screwdriver, enabling you to lift the gate off the hinges for storage elsewhere. A useful option if the gate is not needed all the time eg. in a grandparent's home.

## **D** USING THE GATE

Before using the gate ensure that it is fitted correctly and is secure.

To open the gate, push the catch (1) and lift the gate (2). The gate is closed manually by locating the spindles into the catch and lower wall cup.



**Always check that the gate is closed and locked before leaving unattended.**

## **E** MAINTENANCE

Check the gate periodically to ensure that the wall surfaces, spindles, and locking devices are all functioning correctly. Adjust as necessary, referring to these instructions.

Only use original Clippasafe spare parts for this product.

Spare parts may be obtained via the Careline or the e-mail address below.

No part of this gate requires lubrication.

Clean the gate using warm water and a mild detergent.

Never use solvents, chemical scouring powders or sharp tools to clean this gate.

## **Clippasafe Ltd.**

Lanthwaite Road, Clifton,  
Nottingham, NG11 8LD, England

Tel: 0115 921 1899

E-mail: [enquiries@clippasafe.co.uk](mailto:enquiries@clippasafe.co.uk)

[www.clippasafe.co.uk](http://www.clippasafe.co.uk)

Model No.112

©Clippasafe Ltd 2016 - 112/Oct2016

